

SS6000 Series

Bearing Force Load Cell

Description

The SS6000 series are strain gauge based shear force sensing load cells incorporating cylindrical ends to facilitate the mounting of bearings direct to the load cell. They are machined from stainless steel and have high resistance to overload, shock and corrosion. The transducer is fully compensated for the effects of temperature on the zero output and sensitivity and employs precision transducer quality bonded strain gauges as the primary transduction element. The load cell is ideal for web tension measurement and the control of winding machinery.



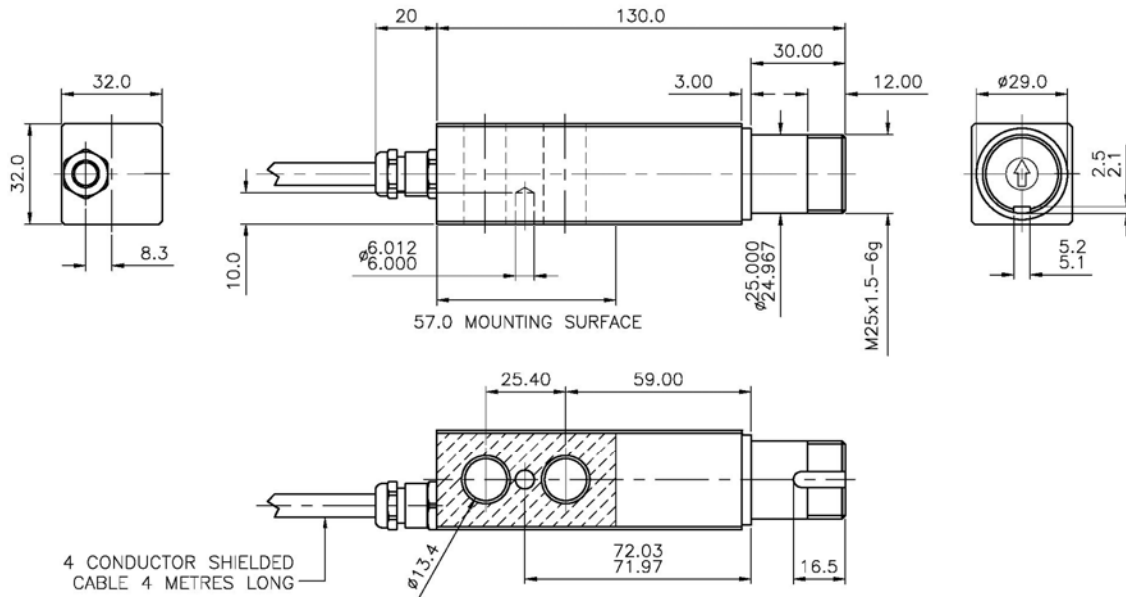
Specifications

| Type Number | SS6000 | | |
|--------------------------------|-----------------------------------|----------------------|-------------------------|
| Operational Mode | Shear Force | | |
| Recommended Excitation Voltage | VDC | 10 | |
| Maximum Excitation Voltage | VDC | 15 | |
| Input Resistance | Ohms | 380±20 | |
| Output Resistance | Ohms | 350±5 | |
| Full scale load | 2000 | 5000 | kg |
| Maximum load without damage | 3000 | 7500 | kg |
| Full scale output | 2.00 ±0.25% | | mV/Volt |
| Non-Repeatability | ±0.015 | | % Full Scale |
| Zero balance | ±1.00 | | % Full Scale |
| Creep | ±0.03 | | % Full Scale Max |
| Mechanical Stiffness | 7.5x10 ⁻⁵ | 4.0x10 ⁻⁵ | mm/kg |
| Environmental | | | |
| Operating temperature range | -40 to +80 | | °C |
| Compensated temperature range | -10 to +40 | | °C |
| Environmental protection level | IEC529 | | IP67 |
| Thermal Zero Shift | 0.0025 | | ± % Full Scale/°C (max) |
| Thermal Sensitivity Shift | 0.005 | | ± % Reading/°C (max) |
| Miscellaneous | | | |
| Electrical connection | 4 metre integral cable | | |
| Documentation | Individual calibration data sheet | | |
| Dimensions | See Drawing A3/OL/22263 | | |

SS6000 Series

Bearing Force Load Cell

Outline Dimensions:



Ordering Information: Order by Part No and range: SS6000-200Kg.